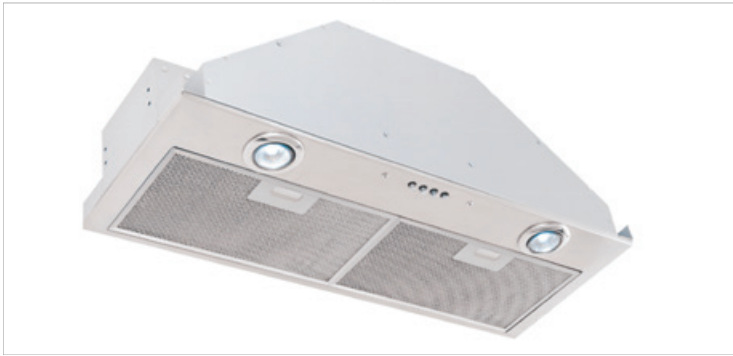




GARDA INSERT



ARIETTA

Garda provides professional grade performance, while it's 28 1/4" width and 10 3/4" depth enables it to be discreetly installed inside standard 12" deep cabinetry, making it ideal for smaller kitchens or where the range hood needs to be Out-of-Sight. Garda has a powerful 600 CFM blower to support most cooking needs. Stainless steel push button controls operate the 3 speed blower and LED lighting, while dishwasher safe, anodized aluminum mesh filters offer easy maintenance. Garda is designed for standard ducted or recirculating installations.



2 LED Lamps



Stainless Steel Push Button Controls



2 Dishwasher-Safe Anodized Aluminum Filters

MODELS

AGR628SSA Garda 28" Stainless Steel

DIMENSIONS

(28 1/4" W X 10 3/4" D X 9 1/2" H)

Features

Size (in) & Type	28 1/4" Wide, Insert
Finish	Stainless Steel
Controls	Stainless Steel Push Buttons
Illumination	2 LED lamps (700 mA & 2.1 W per lamp) 1 Light Intensity
Installation Type	Ducted or Recirculating Installation (Recirculating Kit Sold Separately)
Blower Performance	600 CFM, 3-Speed Internal Speed 1, 190 CFM, 2.1 Sones Speed 2, 350 CFM, 4.7 Sones Speed 3, 600 CFM, 8.1 Sones
Filter Type	2, Dishwasher-Safe, Anodized Aluminum Mesh Grease Filters
Duct Transition	6" (Round/Top)
Electrical	120 V – 60 Hz 455 Watt at 3.8 Amps

Accessories



Recirculating Kit
CODE: KIT02770



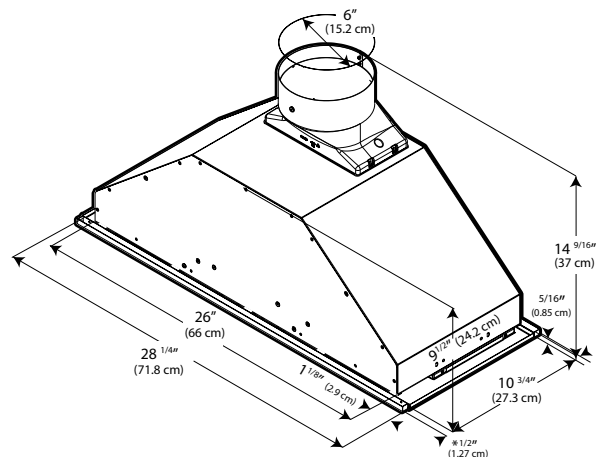
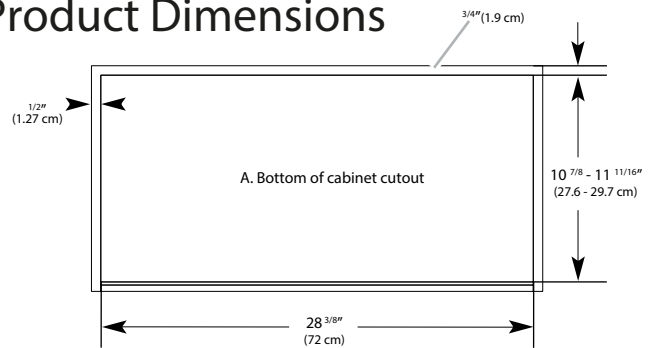
NO RETURN VALVE 6"
CODE: KIT0102873



Stainless 30" Hood Liner
CODE: KIT02773

Stainless 36" Hood Liner
CODE: KIT02774

Product Dimensions



* Metallic spacers: Spacers have to be installed and used when cabinet depth is greater than 12".