



## DEKOR ISLAND | Island Range Hood

Keep the room fresh and clear

SKU: ADI436SSB | CATEGORY: Island

The 3-speed, 400 CFM blower and high-tech, electronic push buttons with white backlight controls of the Arietta Dekor Island 36" Island Range Hood make it easy to remove smoke vapors from the kitchen and keep the room fresh and clear. The hood's Italian design includes graceful 36" arched, glass wings that allow natural light to illuminate the surface below and are complemented by reflective stainless steel.



2 LED lamps with 1 light intensity that safely illuminates the cooking area.



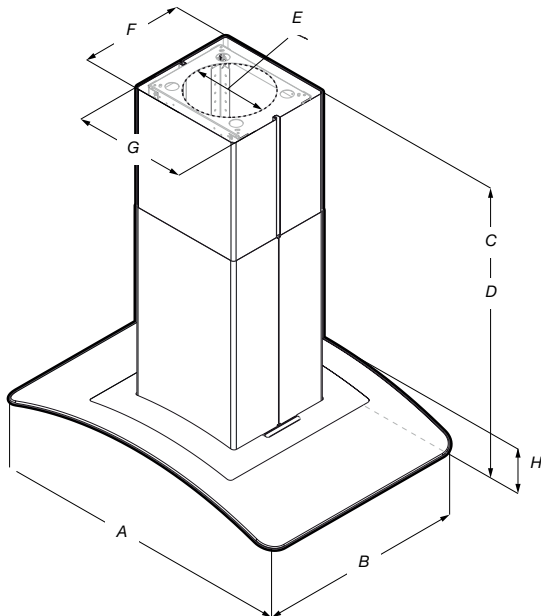
Electronic Push buttons with white backlight.



Dishwasher-safe, Anodized Stainless Steel Mesh filters.

## FEATURES

Size (in)	36"	
Dimensions	36"W x 25 1/4"D x Min: 29 7/16" Max: 49 7/16" H	
Finish	Stainless Steel	
Controls	Electronic Push buttons with white backlight	
Illumination	2 LED lamps (700 mA & 2.1 W, 3000 Kelvin and 235 Lumens / Lamp) 1 Light Intensity	
Blower Performance**	400 CFM, 3-Speed Internal Blower Min 0.5 - Max 6.0 sones (Noise)	
Filter Type	1, Dishwasher-Safe, Anodized Stainless Steel Mesh	
Duct Transition	6" (Round, Top)	
Electrical	120V - 60 Hz, 265 Watt at 2.2 Amps	
Telescopic Chimney	For ceiling heights 7'5" - 9'8" (ducted out) & 7'5" - 10'1" (recirculating)	
Accessories	KIT01938 KIT0102873 KIT0100317 KIT0175561	Recirculation Kit (Contains 1 flat carbon filter) Backdraft Damper 6" Round Long Chimney Extension - For ceiling heights 8'9" - 12'7" (ducted out) & 9'2" - 12'9" (recirculating) Electronic CFM Reduction Bypass Kit (Achieves less than 300 CFM)



ADI436SSB	
A	36" (91.4cm)
B	25 1/4" (64 cm)
C*	Max: 49 7/16" (125.5 cm) Min: 29 7/16" (74.7 cm)
D**	Max: 44 5/16" (112.6 cm) Min: 29 7/16" (74.7 cm)
E	6" (15.24cm)
F	12" (30.5 cm)
G	13 1/16" (33.6 cm)
H	1 15/16" (4.92 cm)

\*For non-vented (recirculating installations)

\*\*For vented installations

**DESIGNED IN ITALY, MADE IN NORTH AMERICA**

**Five (5) Years Warranty.**

One (1) Year Parts & Labor + an extra Four (4) years Parts when registering your product on [www.ariettahoods.com](http://www.ariettahoods.com)



\* The product images shown are for illustration purposes only and may not be an exact representation of the product.

\*\* Blower performance indicates the performance of the blower by itself. Performance claims are not AHAM certified but were established in accordance with HVI Standardized test procedure. For Certified Ratings, please refer to AHAM Certified Product Directory. Electric Ratings are declared according to UL. High Speed 340 CFM, 7.0 sones (6" vertical) Working Speed 100 CFM, 0.5 sones (6" vertical)