



## SEGRINO | Undercabinet Range Hood

### Classic design with strong lines

SKU: ASG430SSB | ASG436SSB  
CATEGORY: Undercabinet

The Segrino Range Hood, is available in 30" and 36" widths, in a compact under cabinet mount range hood, which is ideal when cabinet space is limited. The professional 23" depth provides added capture area to better support heavier cooking needs and is paired with a powerful 400 CFM blower. Rotating knob controls are discreetly hidden underneath the hood for easy access and simple operation of the LED lighting and 3-speed blower. Dishwasher safe anodized stainless steel mesh filters and the hood's all stainless steel construction offers durability, easy clean-up and a bright attractive appearance.



2 LED lamps with 1 light intensity that safely illuminates the cooking area.



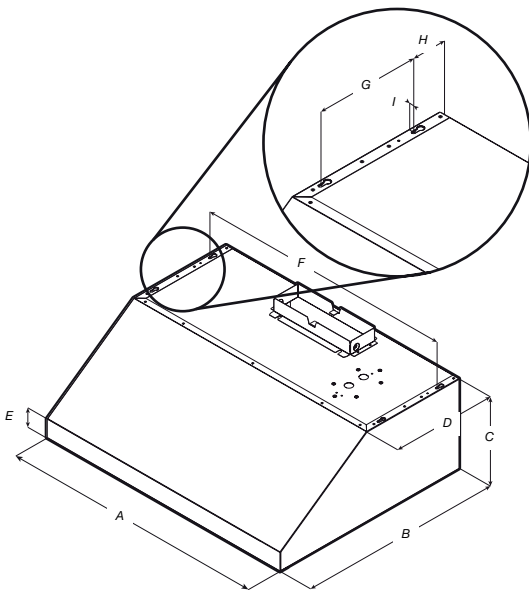
Metallic Rotating Knobs that enable the 3-speed Blower.



Dishwasher-safe, Anodized Stainless Steel Mesh filters

## FEATURES

Size (in)	30, 36"	
Dimensions	30"/36" W x 23"D x 10" H	
Finish	Stainless Steel	
Controls	Metallic Rotating Knobs	
Illumination	2 LED lamps (700 mA & 2.1 W, 3000 Kelvin and 235 Lumens / Lamp) 1 Light Intensity	
Blower Performance**	400 CFM, 3-Speed Internal Blower Min 0.5 - Max 7.0 sones (Noise)	
Filter Type	2, Dishwasher-Safe, Anodized Stainless Steel Mesh Filters	
Duct Transition	3 1/4" x 10" Rectangular (Top and rear)	
Electrical	120V - 60 Hz 265 Watts at 2.2 Amps	
Accessories	KIT02770 Recirculating Kit - Contains carbon filters GRI0131086A Stainless Steel Baffle Slot Filter for 30" GRI0131087A Stainless Steel Baffle Slot Filter for 36" KIT0185097 Electronic CFM Reduction Bypass Kit (Achieves less than 300 CFM) KIT02724 Back Draft Damper, 3 1/4" x 10" KIT0142864 30" Stainless steel Backsplash kit KIT0142867 36" Stainless steel Backsplash kit	



	ASG430SSB	ASG436SSB
A	30" (76 cm)	36" (91.54 cm)
B	23" (58.5 cm)	
C	10" (25.3 cm)	
D	11 <sup>30</sup> / <sub>32</sub> " (30 cm)	
E	2 <sup>1</sup> / <sub>8</sub> " (5.4 cm)	
F	29 <sup>7</sup> / <sub>32</sub> " (74 cm)	35 <sup>7</sup> / <sub>32</sub> " (89.5 cm)
G	7 <sup>1</sup> / <sub>2</sub> " (19 cm)	
H	2 <sup>9</sup> / <sub>16</sub> " (6.5 cm)	
I	1 <sup>3</sup> / <sub>32</sub> " (1 cm)	

**DESIGNED IN ITALY, MADE IN NORTH AMERICA**

**Five (5) Years Warranty.**

One (1) Year Parts & Labor + an extra Four (4) years Parts when registering your product on [www.ariettahoods.com](http://www.ariettahoods.com)



\* The product images shown are for illustration purposes only and may not be an exact representation of the product.

\*\* Blower performance indicates the performance of the blower by itself. Performance claims are not AHAM certified but were established in accordance with HVI Standardized test procedure. For Certified Ratings, please refer to AHAM Certified Product Directory. Electric Ratings are declared according to UL. High Speed 310 CFM, 8.0 sones (6" vertical) Working Speed 100 CFM, 0.5 sones (6" vertical)