



## VENETO | Wall-Mount Range Hood

### A classic look

SKU: AVN430SSB, AVN436SSB  
CATEGORY: Wall-Mount

The clean lines, beautifully sloping angles and stainless steel finish of the Veneto 30" Range Hood, an Italian-styled range hood by Arietta also available in a 36" width, makes a striking visual statement. A classic look that compliments contemporary kitchen decor. Veneto features include a powerful 400 CFM blower, dishwasher-safe stainless steel mesh filters, electronic push buttons with white backlight controls that deliver convenience, safety and long life efficient LED lighting to set the right mood.



2 LED lamps with 1 light intensity that safely illuminates the cooking area.



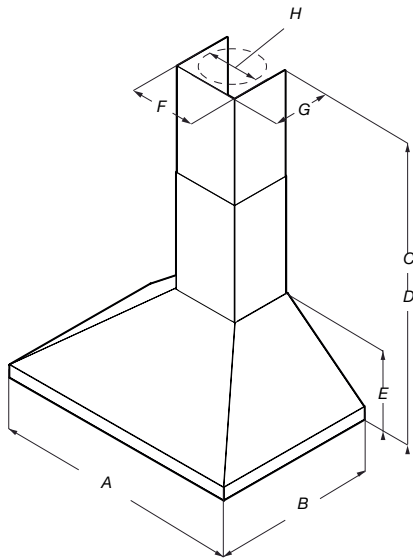
Electronic Push buttons with white backlight



Dishwasher-safe, Anodized Stainless Steel Mesh filters

## FEATURES

Size (in)	30, 36"	
Dimensions	30"/36"W x 19-11/16"D x Min: 28-6/16" Max: 42 1/8"H	
Finish	Stainless Steel	
Controls	Electronic Push buttons with white backlight	
Illumination	2 LED lamps (700 mA & 2.1 W , 3000 Kelvin and 235 Lumens / Lamp) 1 Light Intensity	
Blower Performance**	400 CFM, 3-Speed Internal Blower Min 0.8 - Max 7.1 sones (Noise)	
Filter Type	2 for 30", 3 for 36", Dishwasher-Safe, Anodized Stainless Steel Mesh Filters.	
Duct Transition	6" Round (Top)	
Electrical	120V - 60 Hz 265 Watts at 2.2 Amps	
Telescopic Chimney	For ceiling heights 7'5" - 9'1" (ducted out) & 7'5" - 9'6" (recirculating)	
Accessories	KIT02766 KIT02762 KIT0102873 KIT0175561	Recirculating Kit - contains 6" deflector and 2 round carbon filters Chimney Extension (reaches ceilings 8'5"-11'3" ducted & 8'6"-11'7" recirculating) Back Draft Damper, 6" Round Electronic CFM Reduction Bypass Kit (Achieves less than 300 CFM)



	AVN430SSB	AVN436SSB
A	30" (76 cm)	36" (91.54 cm)
B	19 <sup>11</sup> / <sub>16</sub> " (50 cm)	
C*	max. 42 <sup>1</sup> / <sub>8</sub> " (107 cm) min. 28 <sup>6</sup> / <sub>16</sub> " (72 cm)	
D**	max. 38 <sup>3</sup> / <sub>16</sub> " (97 cm) min. 28 <sup>6</sup> / <sub>16</sub> " (72 cm)	
E	10" (25.4 cm)	
F	8 <sup>3</sup> / <sub>16</sub> " (20.8 cm)	
G	7 <sup>3</sup> / <sub>16</sub> " (18.3 cm)	
H	6" (15.24cm)	

\*For non-vented (recirculating installations)

\*\*For vented installations

**DESIGNED IN ITALY, MADE IN NORTH AMERICA**

**Five (5) Years Warranty.**

One (1) Year Parts & Labor + an extra Four (4) years Parts when registering your product on [www.ariettahoods.com](http://www.ariettahoods.com)



\* The product images shown are for illustration purposes only and may not be an exact representation of the product.

\*\* Blower performance indicates the performance of the blower by itself. Performance claims are not AHAM certified but were established in accordance with HVI Standardized test procedure. For Certified Ratings, please refer to AHAM Certified Product Directory. Electric Ratings are declared according to UL. High Speed 350 CFM, 8.0 sones (6" vertical) Working Speed 100 CFM, 1.0 sones (6" vertical)