



LESINA
WALL-MOUNTED | CHIMNEY



ARIETTA

With Lesina, a gently tapered stainless steel canopy that measures only 5" high, conveys understated elegance. Available in 30" or 36" widths. High-tech LCD controls, manage multiple functions, including LED lighting, 3 speed blower, automatically turns on under high heat and even has a sensor that tells you when to clean your dishwasher-safe anodized aluminum mesh filters. Lesina features a telescopic chimney for up to 8' ceilings and also has an available extension for taller kitchens. Designed for standard ducted installation, Lasina can also be installed as a recirculating system using the Recirculating Kit, available as an accessory.



2 LED Lamps



Touch Controls with LCD Display



Dishwasher-Safe Anodized Aluminum Filters

- ALS430SSA
- ALS436SSA

MODELS

- Lesina 30" Stainless
- Lesina 36" Stainless

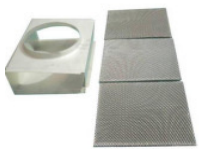
DIMENSIONS

- (30"W x 19 11/16"D x 5"H)
- (36"W x 19 11/16"D x 5"H)

Features

Size (in) & Type	30" or 36" Wide, Wall-Mounted, Chimney Hood
Finish	Stainless Steel
Controls	Touch Controls with LCD Display
Illumination	2 LED lamps (700 mA & 2.1 W per lamp)
Installation Type	Ducted or Recirculating Installation (Recirculating Kit Sold Separately)
Blower Performance	400 CFM, 3 – Speed Internal Speed 1 - 160 CFM - 0.6 Sones Speed 2 - 280 CFM - 2.1 Sones Speed 3 - 400 CFM - 6.1 Sones
Telescopic Chimney	Reaches ceiling heights 7'0" - 9'6" (Ducted Out) Reaches ceiling heights 7'4" - 9'10" (Recirculating)
Filter Type	Dishwasher-Safe, Anodized Aluminum Mesh (2w/30" Unit & 3w/36" Unit)
Duct Transition	6" (Round, Top)
Electrical	120 V – 60 Hz 265 Watt at 2.2 Amps

Accessories



Recirculation Kit
for 30" and 36" units
CODE: KIT0102875



NO RETURN VALVE 6"
CODE: KIT0102873



Long Chimney Extension Kit
Reaches 7'5" - 10'5" (ducted)
Reaches 7'9" - 10'9" (recirculating)
CODE: KIT01935



CFM Reduction Kit
CODE: KIT02748

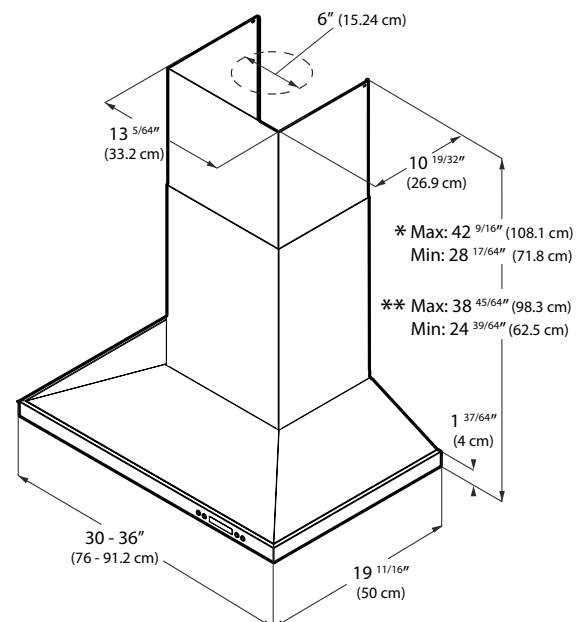


Replacement Carbon
Filter KIT (Qty 1 Filter)
CODE: KIT01658



Replacement Aluminum
Mesh Grease Filter (Qty 1)
CODE: KIT01668

Product Dimensions



*For non-vented (recirculating installations)

**For vented installations